



Press Release

Voitsberg/Marktschorgast/Hannover, Nov. 2013

AGRITECHNICA 2013:

New in the BSA portfolio: Eccentric screw pump 350/150

Reliable spreading of liquid manure with an output of 6,000 l for big jobs

The requirements on liquid manure technology have continued to rise in recent years: increasing tank volumes and distribution systems with ever-larger operating widths also pose challenges for the pump technology. BSA, the pump and vacuum tanker specialist from Marktschorgast in Franconia and a company of the Austrian Bauer Group, has therefore expanded its range of eccentric screw pumps with a new model.

For the new pump Ex 350/150, the celebrated company is sticking to its proven smooth running hollow shaft rotor, which is manufactured at BSA in a unique process and is absolutely unbreakable. Tough tool steel and a uniform wall thickness of 8 mm prevent heat build-up and stress cracks. An additionally applied special coating ensures a hard and smooth surface. The low weight of the smooth running hollow rotor keeps noise down at all speeds. A flow-optimized stator, made of a special rubber mixture, also improves the efficiency of the pump. The new, powerful pump design enables short tanker filling times and a constant supply of manure into the spreading system via the pressure pipe. Larger distribution widths can also be achieved with this pump.

Visit us at Agritechnica from November 10th to 16th in
hall 16 (liquid manure) – stand no. C 17!

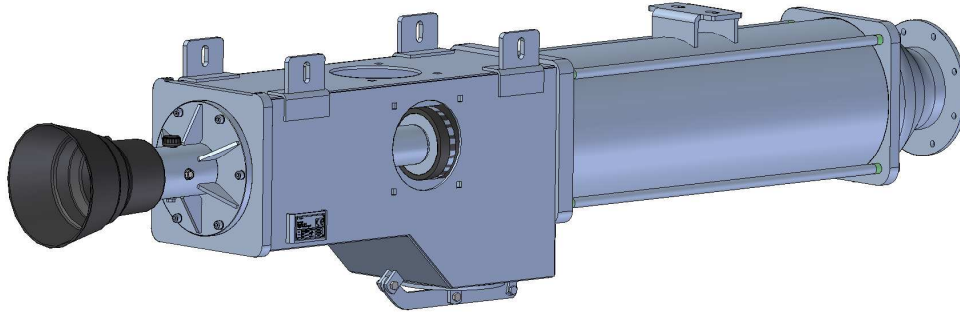


Image caption: BSA eccentric screw pump 350/150 with an output of 6,000 l

Download area for press texts and photos:

<http://www.melzer-pr.com/newsroom.htm> -> right "Bauer Group"

The Bauer Group at a Glance

Since its founding in 1930, the BAUER Group – with headquarters in Voitsberg, Styria, – has focused on irrigation and slurry management technology. Whilst initially producing wastewater and slurry pumps, the company first became an international player in the sector of irrigation technology in 1947 with the patent-protected Bauer lever lock coupling – named after Rudolf Bauer, the company founder. Today the company is developing rapidly in the biotechnology sector with wastewater treatment & biogas plants and is focused on three main sectors: irrigation management, waste management and energy management.

BAUER is the global market leader in irrigation technology: In total, over 2.5 million hectares are irrigated around the world. A major portion of sales, representing 50% of the total revenue, is achieved in the sectors of slurry and environmental waste processing. The BAUER Group exports to more than 90 countries of the world. With approx. 530 employees, Bauer earned roughly 167 million euros of revenue in 2011/2012. With an export ratio of 90%, the main markets of the BAUER Group are Germany, France, the CEE countries, China, the USA, South America and Australia.

The BAUER Group currently consists of 17 companies worldwide.

Product Range

- Various irrigation systems
 - Automated pivot and linear systems, i.e.: Centerstar, Centerliner, Linestar
 - Irrigation machines, i.e.: Rainstar, Duostar, Rainboy or ProRain
 - Traditional irrigation, i.e.: pipe systems and solid-set plants
- Slurry transportation (slurry tanks)
- Innovative slurry treatment: mixers, pumps, separators, composting and distribution
- Pipes and fittings
- Wastewater treatment and separation technology for the food and paper industry
- Components for Biogas plants
- BRU Bedding Recovery Unit

Internet Services

- ◆ *Configuration of all machines*
- ◆ *Ordering of all spare parts*

For further information see: www.bauer-at.com and www.bsa-de.com

Press Contact:

Press Office of Bauer Group, c/o Melzer PR Group, 1010 Vienna, phone: +43-1-526 89 08-0,
E-mail: office@melzer-pr.com, Web: www.melzer-pr.com